

4

3

2

1

THIS DRAWING IS UNPUBLISHED.

RELEASED FOR PUBLICATION

20

© COPYRIGHT 20

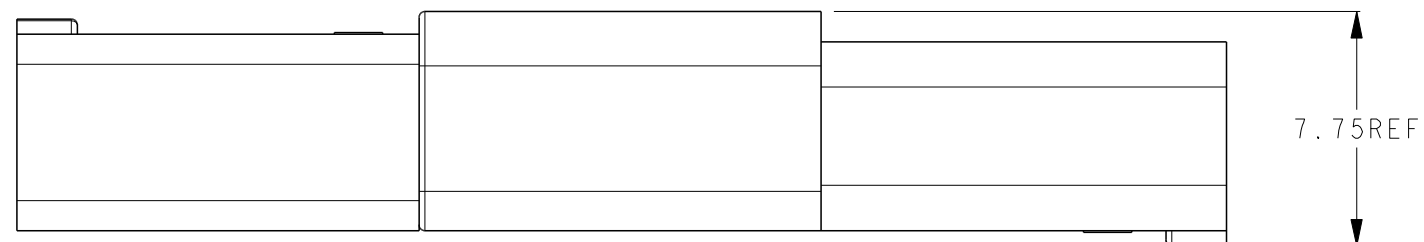
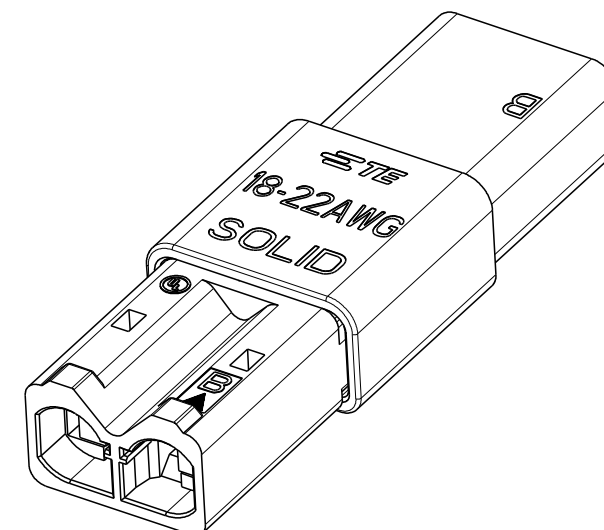
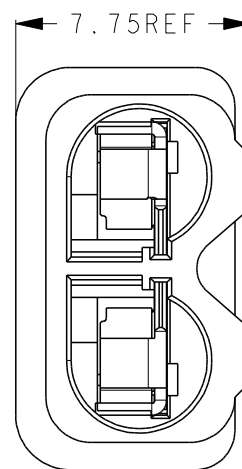
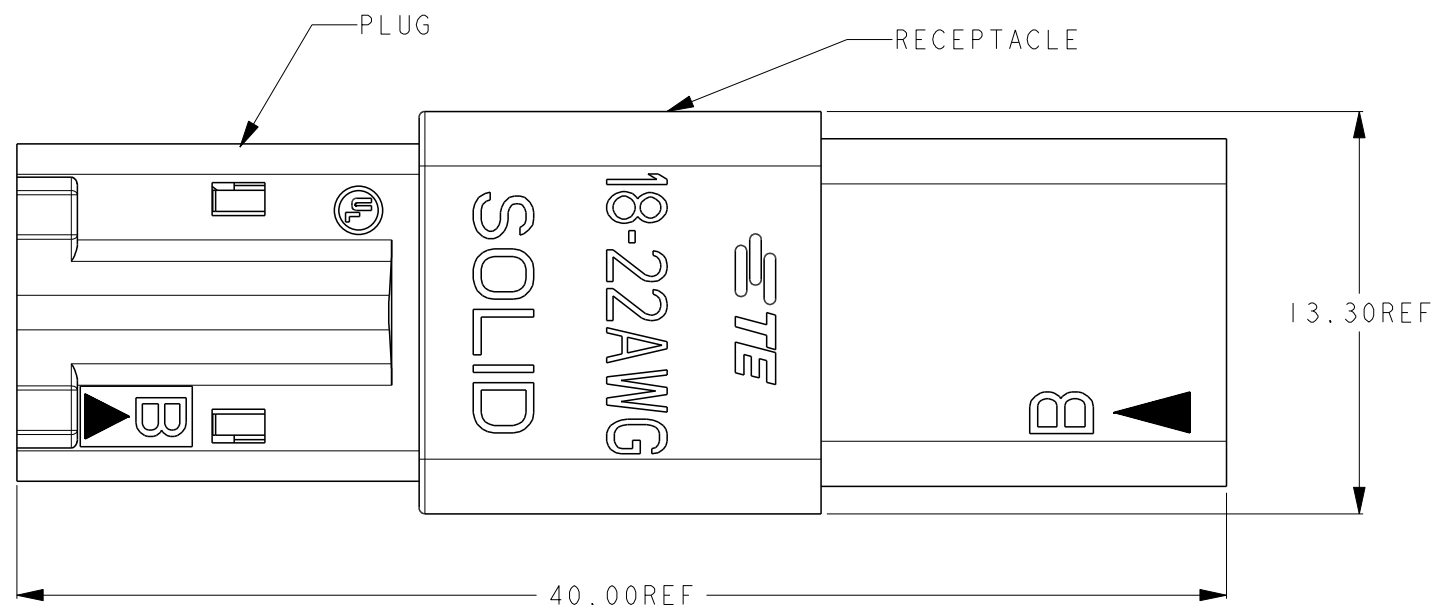
ALL RIGHTS RESERVED.

LOC  
ES

DIST


REVISIONS

P	LTR	DESCRIPTION	DATE	DWN	APVD
	A3	NOTE 5, 6	05DEC2014	M.S	X.X
	A4	MARK CHANGE	14MAY2015	M.S	X.X
	A5	ADD PN	13OCT2015	M.S	X.X
	B	ECR-16-007582	01JUN2016	M.S	X.X



PART NUMBER	PLUG	RECEPTACLE	PART COLOR
2271203-1	2271180-1	2271183-1	ORANGE
2271203-2	2271180-2	2271183-2	BLACK
2271203-3	2271180-3	2271183-3	WHITE (NATURAL)

- NOTES:
- 1 MATED CONNECTOR PART NUMBER:SEE TABLE.
  - 2 MATERIAL
  - 3 TERMINAL: COPPER ALLOY.
  - 4 HOUSING: NYLON, UL 94-V0.COLOR: ORANGE.
  - 5 FINISH
  - 6 TERMINAL: TIN PLATING OVERALL.
  - 7 PACKAGING: PLASTIC BAG.
  - 8 APPLICABLE WIRE: AWG18-22 SOLID OR TIN DIPPED STRANDED. (16 STRANDS MAX. FOR 18 AWG, 7 STRANDS MAX FOR 20-22 AWG. SEE RELATED APPLICATION SPECIFICATION AND PRODUCT SPECIFICATION)
  - 9 STRIP LENGTH:9.0-9.6mm.
  - 10 PRODUCT COMPLIES TO UL 2459 REQUIREMENT AND QUALIFIED: ZMNA.E308110 ; ZMNA7.E308110

THIS DRAWING IS A CONTROLLED DOCUMENT.		DWN	SHI MING	18MAY2014	 TE Connectivity	NAME	2 PIN WIRE TO WIRE CONNECTOR						
DIMENSIONS: mm		CHK	XU XIANG	18MAY2014			PRODUCT SPEC	APPLICATION SPEC	SIZE	CAGE CODE	DRAWING NO	RESTRICTED TO	
TOLERANCES UNLESS OTHERWISE SPECIFIED: ±0.50		APVD	XU XIANG	18MAY2014									108-137020
MATERIAL		FINISH		WEIGHT	3.56g	CUSTOMER DRAWING		SCALE	4:1	SHEET	1 OF 2	REV	B

4

3

2

1

THIS DRAWING IS UNPUBLISHED.

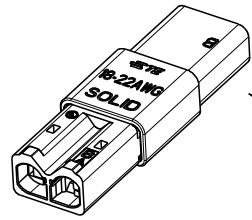
RELEASED FOR PUBLICATION

20

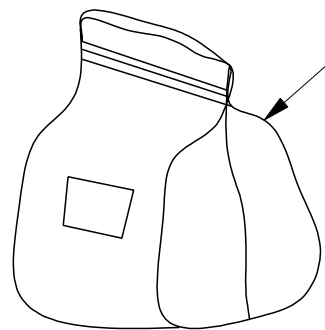
© COPYRIGHT 20

ALL RIGHTS RESERVED.

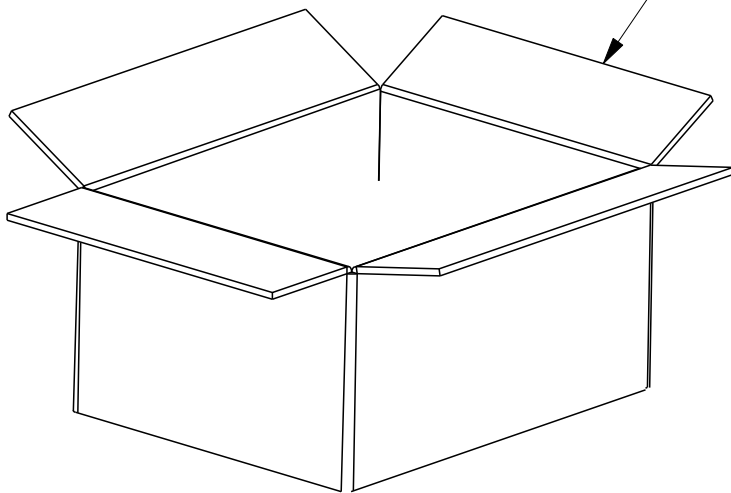
LOC	DIST	REVISIONS					
		P	LTR	DESCRIPTION	DATE	DWN	APVD
ES							



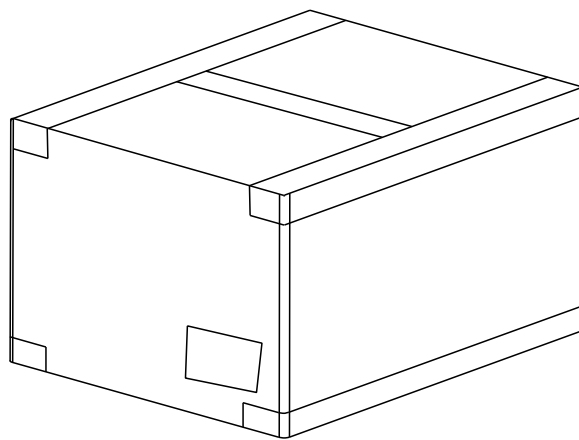
2271203-X



PLASTIC BAG



CARTON



NOTE:  
1. PACKAGING QUANTITY: SEE TABLE.

PAIRS PER BAG	BAGS PER CARTON	PAIRS PER CARTON
250 PCS	8	2000

THIS DRAWING IS A CONTROLLED DOCUMENT.

DIMENSIONS: mm	TOLERANCES UNLESS OTHERWISE SPECIFIED:
	0 PLC ± 1 PLC ±10 2 PLC ±5.0 3 PLC ± 4 PLC ± ANGLES ±5°
MATERIAL	FINISH
-	-

DWN	18MAY2014
CHK	SHI MING
APVD	XU XIANG
PRODUCT SPEC	XU XIANG
APPLICATION SPEC	-
WEIGHT	-
CUSTOMER DRAWING	

**STE** TE Connectivity

NAME			2 PIN WIRE TO WIRE CONNECTOR		
SIZE	CAGE CODE	DRAWING NO	RESTRICTED TO		
A300779	C=2271203		-		
SCALE 4:1			SHEET 2 OF 2	REV B	

D

C

B

A